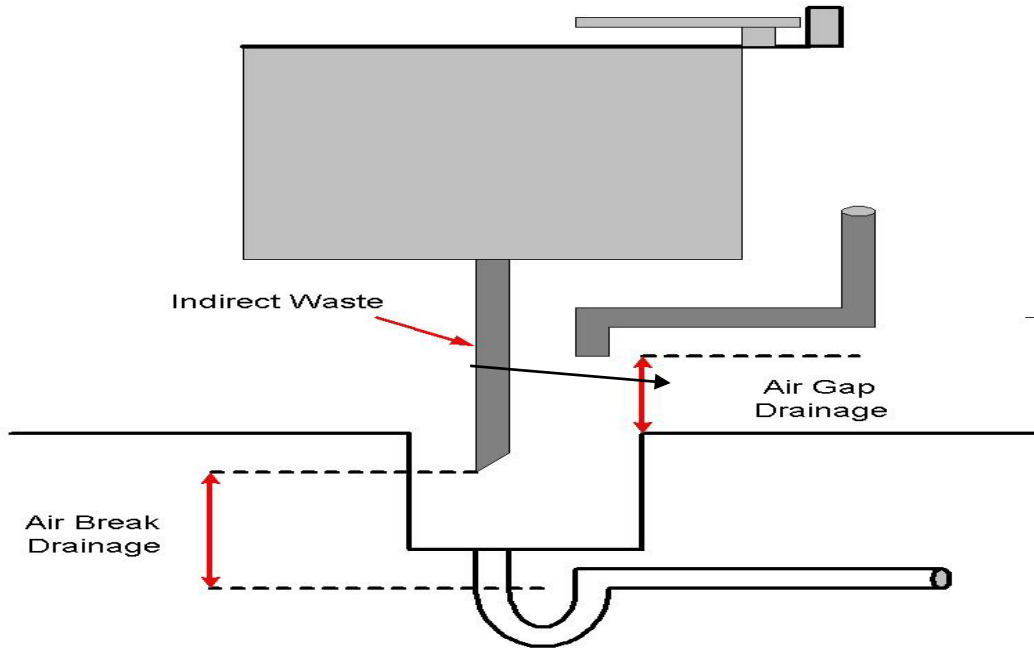




Air Gap vs. Air Break

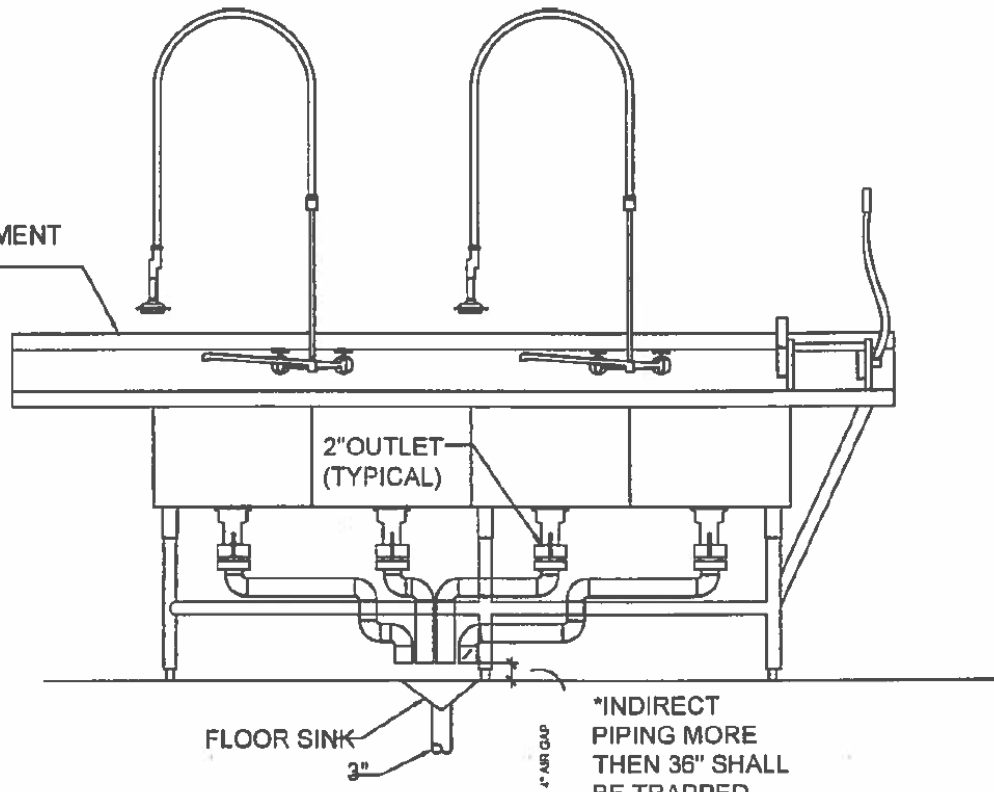


In the above illustration the indirect waste pipe from the sink in the drawing is terminating in the waste receptor with an **AIR BREAK** (to the left – not approved for food prep). The second pipe (from other sink to the right) is illustrating what the pipe would look like if it terminated in the waste receptor with an **AIR GAP** (required for food prep). The **waste receptor** illustrated here is a floor sink. An **AIR GAP** shall be at least twice the diameter of the waste pipe and may not be less than one inch.

The air break is not to be used for fixtures and equipment used for food preparation, food handling or food storage. For these applications an air gap must be used. The drain/waste pipe may not extend past the flood rim of the waste receptor.



4-COMPARTMENT
SINK



2" OUTLET
(TYPICAL)

FLOOR SINK

3"

4" AIR GAP

*INDIRECT
PIPING MORE
THEN 36" SHALL
BE TRAPPED.