



Summit County Public Health

1867 West Market Street ♦ Akron, Ohio 44313-6901
Phone: (330) 926-5600 ♦ Toll-free: 1 (877) 687-0002 ♦ Fax: (330) 923-6436
www.scph.org

Operation Permit Maintenance Requirements:

LOW PRESSURE

(low pressure pipe [LPP] or mound systems)

Homes that are not connected to sanitary sewer must have a household sewage treatment system (HSTS). The HSTS gathers all the wastewater from the home and treats it through various methods before returning the water to the environment. Summit County Public Health (SCPH) requires that these HSTS be functioning as designed. When these systems are not functioning properly, they create a public health nuisance and must be repaired or replaced to ensure that the wastewater from the home is adequately treated.

The operation permit program is designed to help ensure that the HSTS in Summit County are functioning properly. To do so, SCPH requires the following services be performed on your septic system:

1. Check for ponding in the distribution area
2. Check for surface water infiltration or clear water flows from the dwelling or structures into the system components and around or onto the soil absorption area
3. Check the vegetative cover for erosion or settling and any evidence of settling or seepage in the area of the soil absorption component
4. Monitor for proper operation of mechanical devices
5. Monitor the dose volume and operating pressure head of the distribution system and compare to baseline measurements for flushing of distribution laterals
6. Review and document the presence of event counters, elapsed time meters, flow meters and alarm conditions

Frequency of Service: Two times per year

Permit Term: 2 years

Permit Renewal Fee: \$27.00

**PLEASE NOTE: SCPH does not provide these services.
A registered service provider must perform these services.**

For additional information about the Operation Permit Program or to view a list of registered service providers, please visit the Water Quality page at www.scph.org or call 330-926-5600.



Summit County Public Health

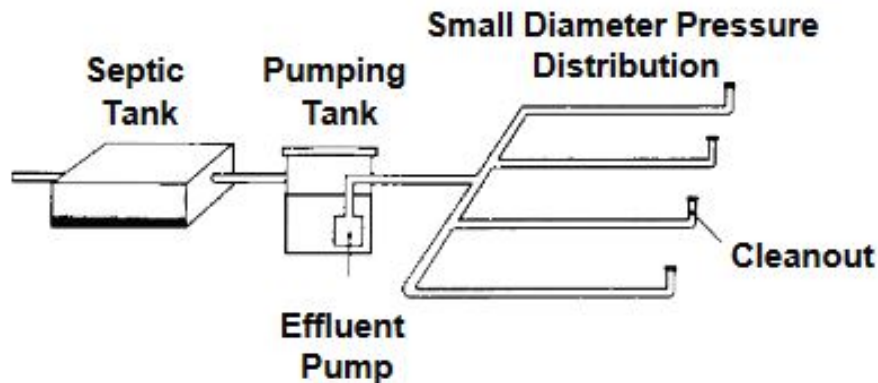
1867 West Market Street ♦ Akron, Ohio 44313-6901
Phone: (330) 926-5600 ♦ Toll-free: 1 (877) 687-0002 ♦ Fax: (330) 923-6436
www.scph.org

LOW PRESSURE

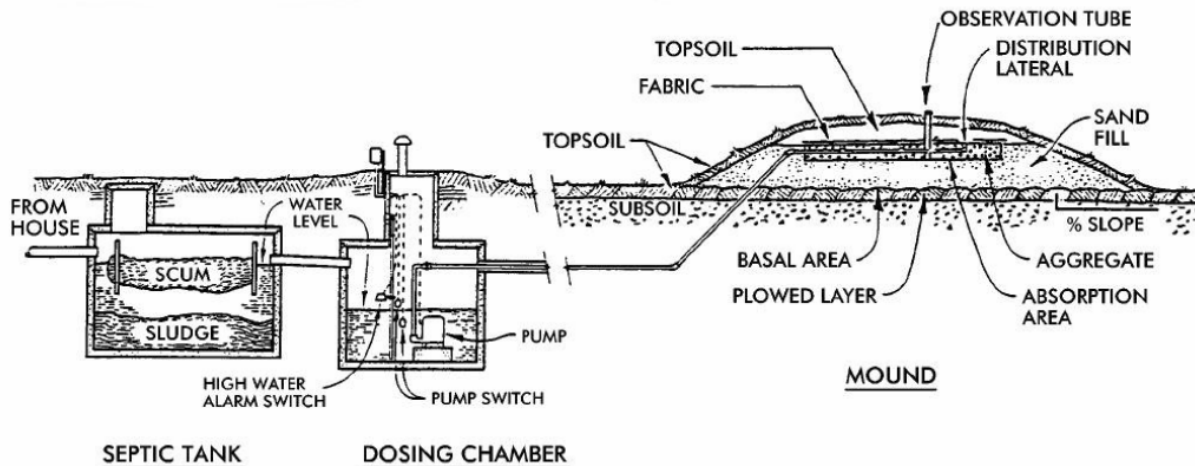
(low pressure pipe [LPP] or mound systems)

Along with the standard septic tank, an additional tank called a pumping chamber is installed. Under normal conditions, a low-pressure pump is activated and forces wastewater into the pumping chamber to pass into the drainfield. The drainfield consists of small perforated pipes in shallow trenches or one trench contained in a mound. Wastewater is pumped into the drainfield to the point where the entire field is saturated. Then the field is left to drain. This creates good aerobic conditions (aerated) which promotes efficient bio-processing by bacteria and other parasites. The shallow placement of the trenches also promotes evapo-transpiration, where evaporation as well as grass and other shallow rooted vegetation help eliminate wastewater. In an LPP system, the pumping chamber is designed to contain at least one extra day of effluent. More flow will cause alarms to be activated.

LPP:



Mound:



Source: ASAE, Converse and Tyler, 1998b.